

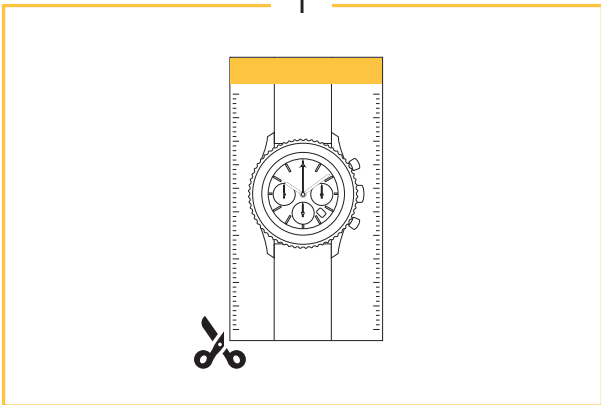


# BREITLING 1884

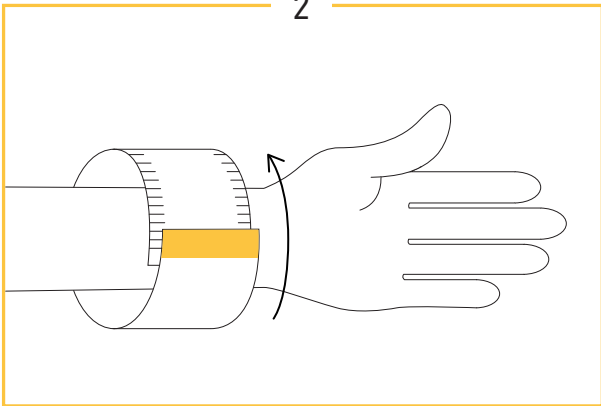
## BREITLING SIZING TOOL

PLEASE MAKE SURE TO PRINT IT AT 100%

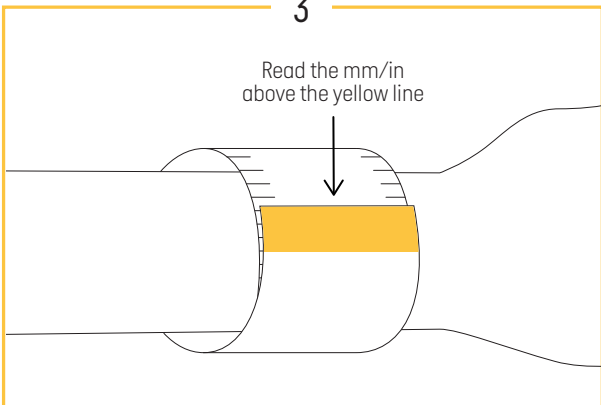
1



2



3



WWW.BREITLING.COM



MEASURE YOUR WRIST HERE

